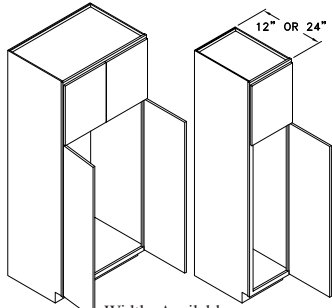


# Tall Cabinets TC308412

Code Width Height Depth

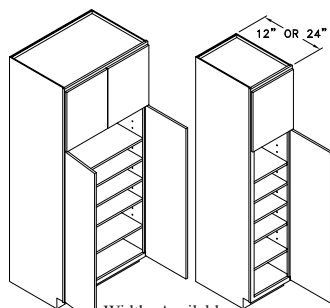
- Standard Tall cabinet depth is 12" or 24". Please specify.
- Standard Tall cabinet height is 84", 90", 93" or 96".
- Most 24" wide Tall cabinets are available with 1 or 2 doors.

**TALL CABINET - T**



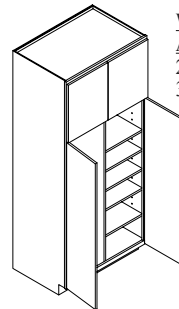
Widths Available:  
12", 15", 18", 21", 24-1",  
24-2", 27", 30", 33" & 36"

**UTILITY TALL CABINET - U**



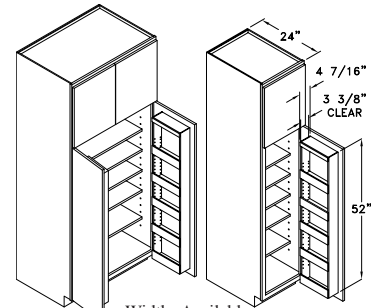
Widths Available:  
15", 18", 21", 24-1",  
24-2", 27", 30", 33" & 36"

**PARTITIONED TALL CABINET - P**



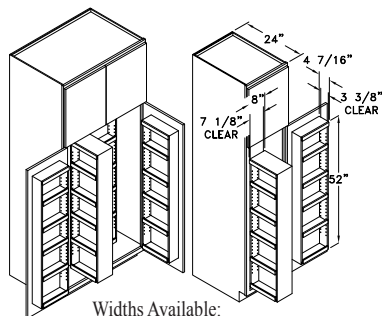
Widths Available:  
24-1", 24-2",  
30" & 36"

**TALL PANTRY CABINET - TPC**



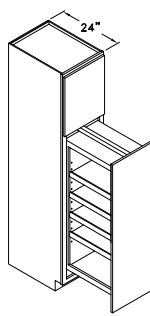
Widths Available:  
18", 21", 24-1",  
24-2", 30" & 36"

**TALL MULTI-STORAGE - TMS**



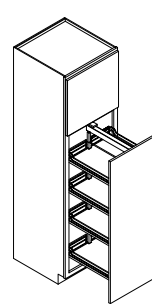
Widths Available:  
18" & 36"

**TALL ROLL-OUT PANTRY - TROP**



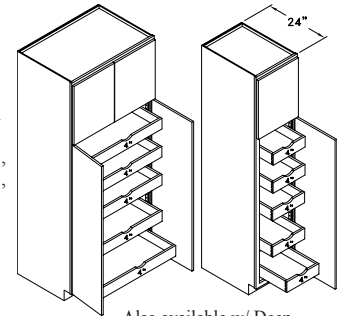
Widths Available:  
12", 15",  
18" & 21"

**TALL WIRE PULL-OUT - TWPO**



Widths Available:  
12", 15",  
18", 21" & 24"

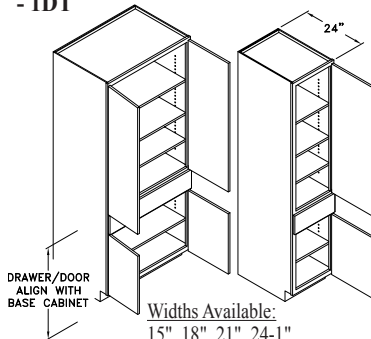
**TALL ROLL-OUT SHELVES - TRS**



Widths Available:  
15", 18",  
21", 24-1",  
24-2", 27",  
30", 33" & 36"

Also available w/ Deep ROS's, specify TRSD

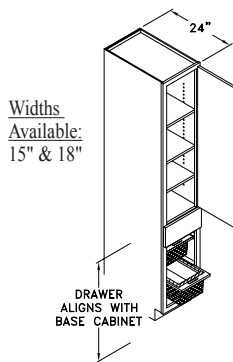
**TALL CABINET 1 DRAWER - 1DT**



Widths Available:  
15", 18", 21", 24-1",  
24-2", 30" & 36"

DRAWER/DOOR ALIGN WITH BASE CABINET

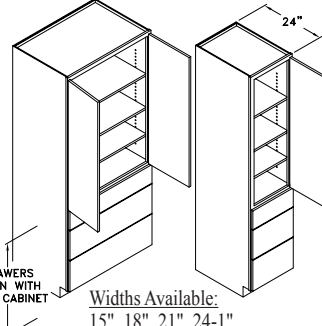
**TALL CABINET 1 DRW. W/ PULL-OUT BASKETS - 1DTPOB**



Widths Available:  
15" & 18"

DRAWER ALIGNS WITH BASE CABINET

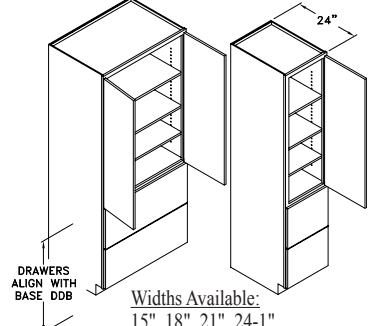
**TALL CABINET 3 DRWS. - 3DT**



Widths Available:  
15", 18", 21", 24-1",  
24-2", 30" & 36"

DRAWERS ALIGN WITH BASE CABINET

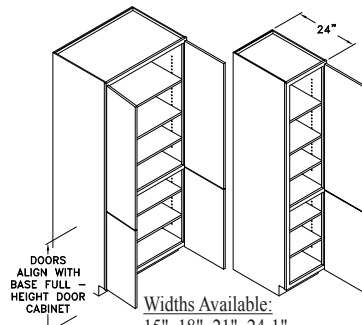
**TALL CAB'T W/ DEEP DRWS. - DDT**



Widths Available:  
15", 18", 21", 24-1",  
24-2", 30" & 36"

DRAWERS ALIGN WITH BASE DDB

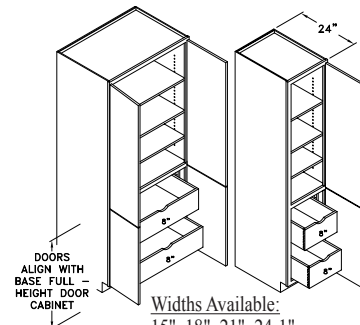
**TALL CABINET W/ FULL HEIGHT DOORS - TFH**



Widths Available:  
15", 18", 21", 24-1",  
24-2", 30" & 36"

DOORS ALIGN WITH BASE FULL HEIGHT DOOR CABINET

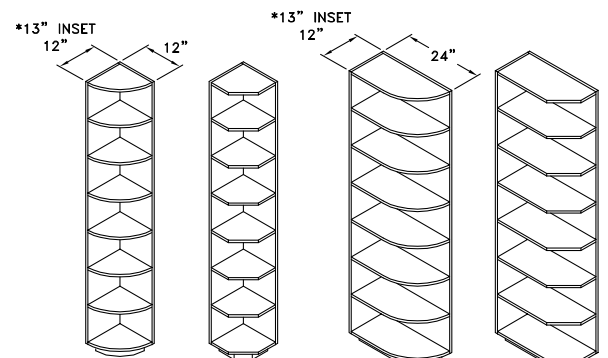
**TALL CABINET W/ FHD & DEEP ROLL-OUT SHELVES - TFHRSD**



Widths Available:  
15", 18", 21", 24-1",  
24-2", 30" & 36"

DOORS ALIGN WITH BASE FULL HEIGHT DOOR CABINET

**TALL DISPLAY BOX - TDB**



TDBB

TDBD

TDBA

TDBC

# Tall Cabinets

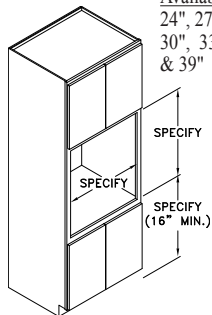
# TC308412

Code Width Height Depth

- Standard Tall cabinet depth is 12" or 24". Please specify.
- Standard Tall cabinet height is 84", 90", 93" or 96".
- Most 24" wide Tall cabinets are available with 1 or 2 doors.

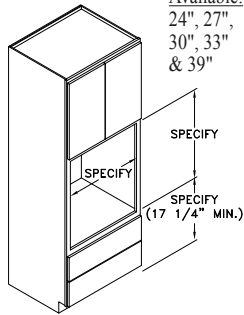
## TALL OVEN - TOV

Widths Available:  
24", 27",  
30", 33"  
& 39"



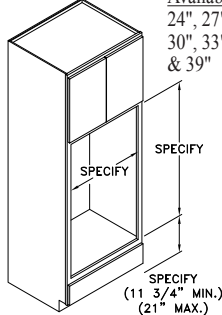
## TALL OVEN DRAWER - TOVD

Widths Available:  
24", 27",  
30", 33"  
& 39"



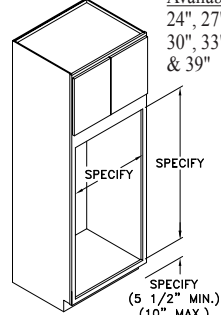
## TALL DOUBLE OVEN - TDOVA

Widths Available:  
24", 27",  
30", 33"  
& 39"



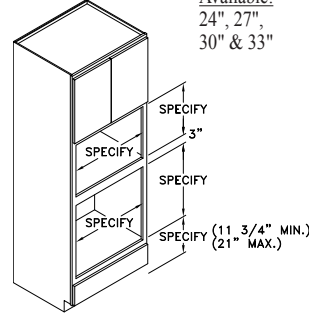
## TALL DOUBLE OVEN - TDOVC

Widths Available:  
24", 27",  
30", 33"  
& 39"



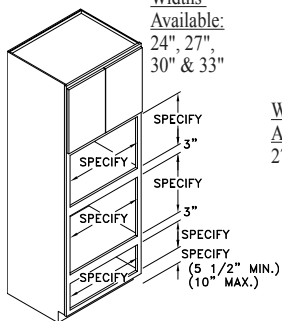
## OVEN MICROWAVE - TOVMA

Widths Available:  
24", 27",  
30" & 33"



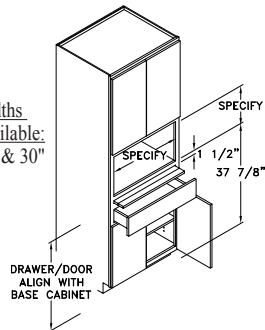
## OVEN MICROWAVE - TOVMB

Widths Available:  
24", 27",  
30" & 33"



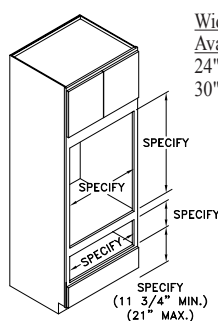
## TALL MICROWAVE COOKING CENTER - TMCC

Widths Available:  
27" & 30"



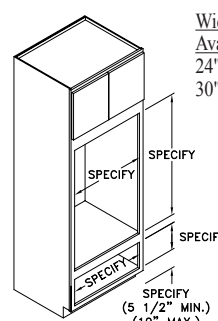
## TALL OVEN W/ WARMING DRAWER - TOWDA

Widths Available:  
24", 27",  
30" & 33"



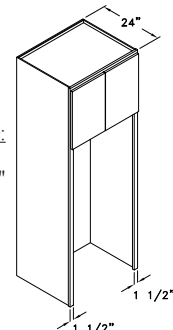
## TALL OVEN W/ WARMING DRAWER - TOWDB

Widths Available:  
24", 27",  
30" & 33"



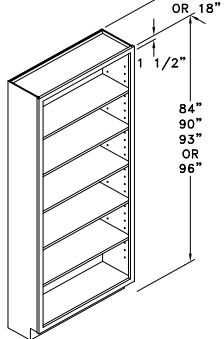
## TALL REFRIGERATOR CABINET - TREF

Widths Available:  
33", 36"  
39" & 45"



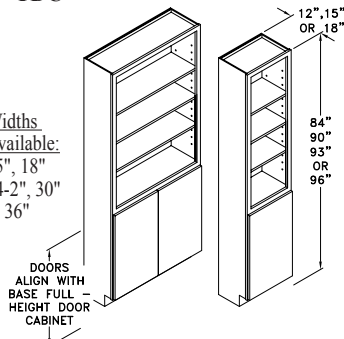
## \*TALL OPEN DISPLAY CABINET - TOD

Widths Available:  
15", 18"  
24", 30"  
& 36"



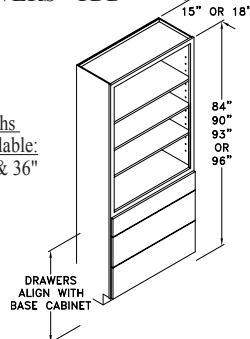
## \*TALL DISPLAY CABINET - TDC

Widths Available:  
15", 18"  
24-2", 30"  
& 36"

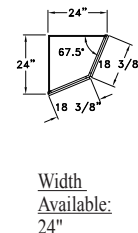


## \*TALL DISPLAY CABINET W/ DRAWERS - TDD

Widths Available:  
30" & 36"

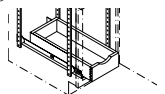


## TALL ANGLE END - TAE

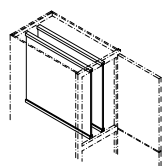


# Tall Accessories

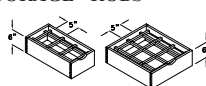
## ROLL-OUT SHELF - ROS



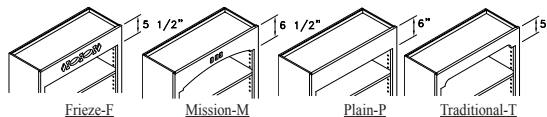
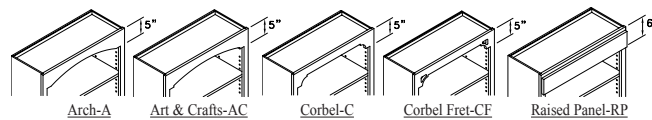
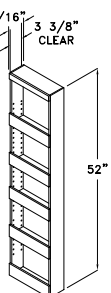
## TRAY PARTITIONS - TP



## ROLL-OUT BOTTLE STORAGE - ROBS



## TALL PANTRY RACK - TPR



\*Optional decorative valances may be specified if desired.

